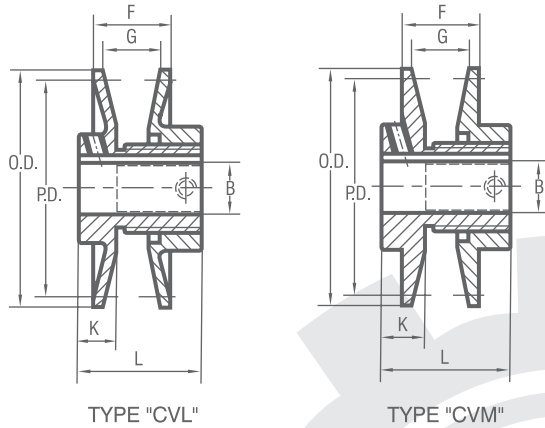


**As<sup>djustable</sup><sub>peed</sub> V-pulleys**

**Cast Iron Sheaves**

**F<sup>inished</sup><sub>B</sub>ore**



**Stock "CVL" and "CVM" Variable Pitch Sheaves**

Part No.	DIAMETER RANGE												STOCK BORES MARKED "X"			
	"3L" Belts				"4L" or "A" Belts				"5L" or "B" Belts				1/2	5/8	3/4	7/8
	Min. Pitch	Turns Open	Max. Pitch	Turns Open	Min. Pitch	Turns Open	Max. Pitch	Turns Open	Min. Pitch	Turns Open	Max. Pitch	Turns Open				
CVL25	1.6	4	2.4	0	—	—	—	—	—	—	—	—	●	●		
CVL30	1.8	4	2.7	0	—	—	—	—	—	—	—	—	●	●		
CVL34	1.7	4	2.5	0	1.9	5	2.9	0	2.4	5	3.2	1	●	●	●	
CVL40	2.3	4	3.1	0	2.4	5	3.4	0	2.7	6	3.7	1	●	●	●	●
CVL44	2.7	4	3.5	0	2.8	5	4.4	0	3.1	6	4.1	1	●	●	●	●
CVM50	3.3	4	4.1	0	3.4	5	4.4	0	3.7	6	4.7	1	●	●	●	●

Do not use "CVL" and "CVM" sheaves with Gripnotch Belt Ratings.

"CVL" Sheaves are machined on essential surfaces only. "CVM" Sheaves are machined all over. Both are furnished with Standard Keyseats and Hollow Head Setscrews and are packaged 20 pieces per carton box.

**Dimensions**

Part No.	Dimensions								Wt. Lbs.
	OD	F		G		L	K		
		Max.	Min.	Max.	Min.				
CVL25	2.50"	25/32"	17/32"	5/8"	3/8"	1 1/2"	37/64"	.8	
CVL30	2.87	25/32	17/32	5/8	3/8	1 1/2	37/64	1.0	
CVL34	3.15	1	5/8	7/8	1/2	1 11/16	37/64	1.1	
CVL40	3.75	1	5/8	7/8	1/2	1 11/16	37/64	1.3	
CVL44	4.15	1	5/8	7/8	1/2	1 11/16	37/64	1.3	
CVM50	4.75	1 1/16	1 1/16	7/8	1/2	1 7/8	21/32	2.8	

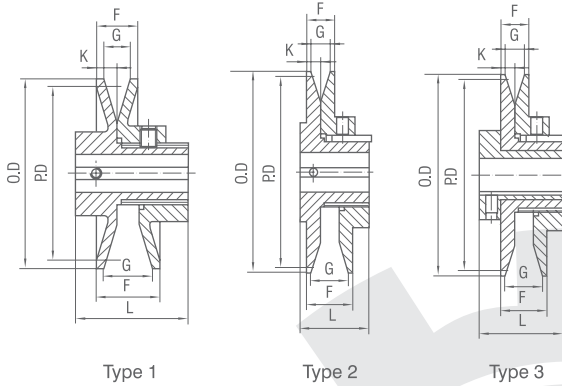
**Standard Keyseats**

Bore Range	Keyseats
1/2"	None
5/8 to 7/8	3/16" x 3/32"

**A<sub>s</sub>** <sup>adjustable</sup> <sub>speed</sub> **V-pulleys**

**Cast Iron Sheaves**

**F<sub>B</sub>** <sup>inished</sup> <sub>ore</sub>



**Dimensions-Finished Bore**

**1VP**

SPCFCTN	TYPE	O.D	F		G		L	K	Stock Bores Marked"●"						Wt Lbs.			
			Max	Min	Max	Min			1/2	5/8	3/4	7/8	1	1 1/8		1 1/4	1 3/8	1 5/8
1VP25	1	2.50	13/16	9/16	5/8	3/8	1 1/2	5/8	●									0.8
1VP30	1	2.87	13/16	9/16	5/8	3/8	1 21/32	19/32	●	●	●							0.9
1VP34	1	3.15	1	11/16	13/16	1/2	1 7/8	21/32	●	●	●	●						1.2
1VP40	1	3.75	1 1/16	11/16	7/8	1/2	1 7/8	21/32	●	●	●	●						1.7
1VP44A	1	4.15	1 1/16	11/16	7/8	1/2	1 7/8	21/32	●	●	●							1.9
1VP44B	2	4.15	1 1/8	3/4	7/8	1/2	1 7/8	11/16				●	●	●				2.6
1VP50A	1	4.75	1 1/16	11/16	7/8	1/2	2	25/32	●	●	●							1.9
1VP50B	2	4.75	1 1/8	3/4	7/8	1/2	1 7/8	11/16				●	●	●				2.9
1VP56A	1	5.35	1 1/16	11/16	7/8	1/2	1 7/8	21/32	●	●	●							2.7
1VP56B	2	5.35	1 1/8	3/4	7/8	1/2	1 7/8	11/16				●	●	●				3.4
1VP60	2	6.00	1 1/4	7/8	1 1/32	21/32	1 21/32	7/16			●	●		●		●		5.5
1VP60A	3	6.00	1 1/4	7/8	1 1/32	21/32	2 5/32	15/16									●	5.3
1VP62	2	5.95	1 1/8	3/4	7/8	1/2	1 29/32	21/32		●	●	●	●	●	●			5.7
1VP65	2	6.50	1 1/4	7/8	1 1/32	21/32	1 21/32	7/16			●	●		●		●		5.8
1VP65A	3	6.50	1 1/4	7/8	1 1/32	21/32	2 5/32	15/16									●	5.5
1VP68	2	6.55	1 1/8	3/4	7/8	1/2	1 29/32	21/32		●	●	●	●	●	●			6.4
1VP71	2	7.10	1 1/4	7/8	1 1/32	21/32	1 21/32	7/16			●	●		●		●		6.8
1VP71A	3	7.10	1 1/4	7/8	1 1/32	21/32	2 5/32	15/16									●	6.5
1VP75	2	7.50	1 1/4	7/8	1 1/32	21/32	1 21/32	7/16			●	●		●		●		7.3
1VP75A	3	7.50	1 1/4	7/8	1 1/32	21/32	2 5/32	15/16									●	7.0

**Standard Keyseats**

NSPT-Adjustable Speed Pulleys with changeable diameters are made of high quality material of cast iron, with protective paint on surface and individual packaging available. They can be on direct use as the installed bores' processing complies with relevant standards.

Bore Range	Keyseats
1/2	
5/8~7/16	3/16X3/32
15/16~1 1/4	1/4X1/8
1 5/16~1 3/8	5/16X5/32
1 7/16~1 9/16	3/8X3/16

**A<sub>s</sub>** <sup>adjustable</sup> <sub>speed</sub> **V-pulleys**

**F<sub>B</sub>** <sup>finished</sup> <sub>bore</sub>

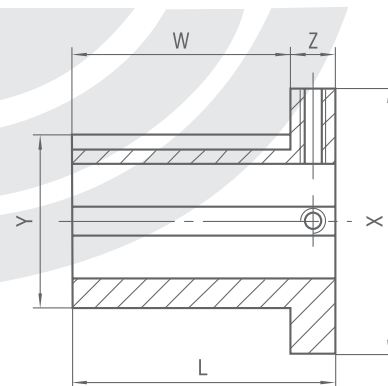
**Cast Iron Sheaves**

**Single Groove Variable Speed Sheaves for "A", "B", and "5V" Belts**

**1VP**

SPCFCTN	TYPE	DIAMETER RANGE															
		3L BELTS				4L or A BELTS				5L or B BELTS				5V BELTS			
		Min Pilch	Turms Open	Max Pilch	Turms Open	Min Pilch	Turms Open	Max Pilch	Turms Open	Min Pilch	Turms Open	Max Pilch	Turms Open	Min Pilch	Turms Open	Max Pilch	Turms Open
1VP25	1	1.6	4	2.4	0												
1VP30	1	1.8	4	2.7	0												
1VP34	1	1.7	4	2.5	0	1.9	5	2.9	0	2.4	5	3.2	1				
1VP40	1	2.3	4	3.1	0	2.4	5	3.4	0	2.7	6	3.7	1				
1VP44	1	2.7	4	3.5	0	2.8	5	3.8	0	3.1	6	4.1	1				
1VP44	2	2.7	4	3.5	0	2.8	5	3.8	0	3.1	6	4.1	1				
1VP50	1	3.3	4	4.1	0	3.4	5	4.4	0	3.7	6	4.7	1				
1VP50	2	3.3	4	4.1	0	3.4	5	4.4	0	3.7	6	4.7	1				
1VP56	1	3.9	4	4.7	0	4.0	5	5.0	0	4.3	6	5.3	1				
1VP56	2	3.9	4	4.7	0	4.0	5	5.0	0	4.3	6	5.3	1				
1VP60	2					4.2	5	5.2	0	4.3	6	5.5	0				
1VP60A	3					4.2	5	5.2	0	4.3	6	5.5	0				
1VP62	2	4.5	4	5.3	0	4.6	5	5.6	0	4.9	6	5.9	1	5.3	6	6.3	1
1VP65	2					4.7	5	5.7	0	4.8	6	6.0	0	5.2	6	6.4	0
1VP65A	3					4.7	5	5.7	0	4.8	6	6.0	0	5.2	6	6.4	0
1VP68	2	5.1	4	5.9	0	5.2	5	6.2	0	5.5	6	6.5	1	5.9	6	6.9	1
1VP71	2					5.3	5	6.3	0	5.4	6	6.6	0	5.8	6	7.0	0
1VP71A	3		5	6.3	0	5.3	6	6.3	0	5.4	6	6.6	0	5.8	6	7.0	0
1VP75	2					5.7	5	6.7	0	5.8	6	7.0	0	6.2	6	7.4	0
1VP75A	3					5.7	5	6.7	0	5.8	6	7.0	0	6.2	6	7.4	0

1VP60A-1VP75A and 2VP60A-2VP75A can be equipped with A2 or A3 adaptors, they can apply to different shaft diameters with changeable inner bore dimensions.



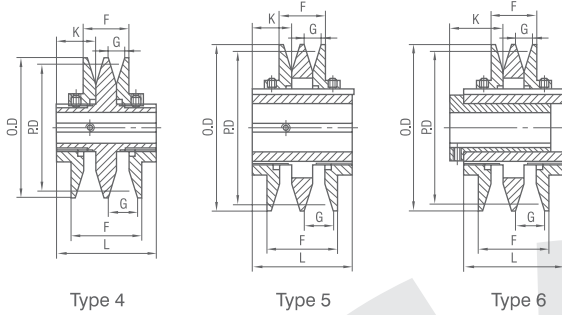
**Bushing Dimensions-Finished Bore**

Bushings	Bore Rangs	L	W	X	Y	Z	1/2	5/8	3/4	7/8	15/16	1	11/16	11/8	13/16	11/4	15/16	13/8	17/16	11/2	19/16	
A2	1/2~13/16	115/16	17/16	21/2	15/8	1/2	●	●	●	●	●	●		●	●							
	11/4~19/16	115/16	11/2	21/2	15/8	7/16										●		●	●	●		
A3	3/4~13/16	215/16	27/16	21/2	15/8	1/2		●	●	●	●	●	●	●	●							
	11/4~19/16	215/16	21/2	21/2	15/8	7/16										●	●	●	●	●	●	●

**A<sub>s</sub>** <sup>adjustable</sup> <sub>speed</sub> **V-pulleys**

**F<sub>B</sub>** <sup>inished</sup> <sub>ore</sub>

**Cast Iron Sheaves**



**Dimensions-Finished Bore**

**2VP**

SPCFCTN	TYPE	O.D.	F		G		L	K	Stock Bores Marked"●"								Wt Lbs.		
			Max	Min	Max	Min			1/2	5/8	3/4	7/8	1	1 1/8	1 1/4	1 3/8		1 5/8	
2VP36	4	3.35	2	1 3/8	13/16	1/2	3	13/16	●	●	●	●	●						3.4
2VP42	4	3.95	2 1/8	1 3/8	7/8	1/2	3	13/16		●	●	●	●	●					4.4
2VP50	5	4.75	2 1/8	1 3/8	7/8	1/2	3	13/16		●	●	●	●	●					6.3
2VP56	5	5.35	2 1/8	1 3/8	7/8	1/2	3	13/16		●	●	●	●	●					7.8
2VP60	5	6.00	2 3/8	1 5/8	1 1/32	21/32	3 1/4	1 1/4			●	●	●	●			●		10.6
2VP60A	6	6.00	2 3/8	1 5/8	1 1/32	21/32	3 3/4	1 3/4									●		10.4
2VP62	5	5.95	2 1/8	1 3/8	7/8	1/2	3	13/16			●	●	●	●	●		●		10.0
2VP65	5	6.50	2 3/8	1 5/8	1 1/32	21/32	3 1/4	1 1/4			●	●	●	●	●		●		12.3
2VP65A	6	6.50	2 3/8	1 5/8	1 1/32	21/32	3 3/4	1 3/4									●		12.0
2VP68	5	6.55	2 1/8	1 3/8	7/8	1/2	3	13/16					●	●	●	●	●		11.7
2VP71	5	7.10	2 3/8	1 5/8	1 1/32	21/32	3 1/4	1 1/4			●	●	●	●		●			14.6
2VP71A	6	7.10	2 3/8	1 5/8	1 1/32	21/32	3 1/4	1 3/4									●		14.4
2VP75	5	7.50	2 3/8	1 5/8	1 1/32	21/32	3 1/4	1 1/4			●	●	●	●		●			16.5
2VP75A	6	7.50	2 3/8	1 5/8	1 1/32	21/32	3 1/4	1 3/4									●		16.3

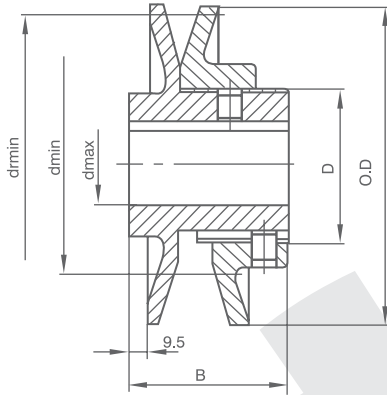
**Two Groove Variable Pitch Sheaves for "3L", "4L", "5L", "A", "B", and "5V" Belts**

SPCFCTN	TYPE	DIAMETER RANGE																
		3L BELTS				4L OR A BELTS				5L OR B BELTS				5V BELTS				
		Max Pitch	Min Open	Max Pitch	Turns Open	Max Pitch	Min Open	Max Pitch	Turns Open	Max Pitch	Min Open	Max Pitch	Turns Open	Max Pitch	Min Open	Max Pitch	Turns Open	
2VP36	4	1.9	4	2.7	0	2.0	5	3.0	0	2.5	5	3.3	1					
2VP42	4	2.5	4	3.3	0	2.6	5	3.6	0	2.9	6	3.9	1					
2VP50	5	3.3	4	4.1	0	3.4	5	4.4	0	3.7	6	4.7	1					
2VP56	5	3.9	4	4.7	0	4.0	5	5.0	0	4.3	6	5.3	1					
2VP60	5					4.2	5	5.2	0	4.3	6	5.5	0					
2VP60A	6					4.2	5	5.2	0	4.3	6	5.5	0					
2VP62	5	4.5	4	5.3	0	4.6	5	5.6	0	4.9	6	5.9	1	5.3	6	6.3	1	
2VP65	5					4.7	5	5.7	0	4.8	6	6.0	0	5.2	6	6.4	0	
2VP65A	6					4.7	5	5.7	0	4.8	6	6.0	0	5.2	6	6.4	0	
2VP68	5	5.1	4	5.9	0	5.2	5	6.2	0	5.5	6	6.5	1	5.9	6	6.9	1	
2VP71	5					5.3	5	6.3	0	5.4	6	6.6	0	5.8	6	7.0	0	
2VP71A	6					5.3	5	6.3	0	5.4	6	6.6	0	5.8	6	7.0	0	
2VP75	5					5.7	5	6.7	0	5.8	6	7.0	0	6.2	6	7.4	0	
2VP75A	6					5.7	5	6.7	0	5.8	6	7.0	0	6.2	6	7.4	0	

**A<sub>s</sub>** <sup>djustable</sup>  
<sub>peed</sub> **V-pulleys**

**SB-1**  
NSPT Standard

**Cast Iron Sheaves**



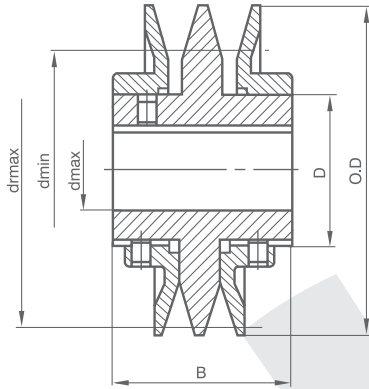
**Single Groove Variable Pitch Sheaves for "3L", "4L", "5L", "A", "B", and "5V" Belts**

PART NO.	OD	D	Bore max	L	set screws	dr			wt Lbs
						min	max		
SB33-1	3.26	19/16	7/8	17/8	1/4x1/4	2.48	3.11	3V	1.86
						2.25	3.00	3/8x5/16	
SB37-1	3.66	17/8	1	17/8	1/4x1/4	2.65	3.50	3V	2.14
						2.60	3.45	4L/A	
						2.40	3.45	3/8x5/16	
						2.36	3.35	1/2x5/16	
SB42-1	4.25	1 15/16	1 1/8	17/8	1/4x1/4	3.10	3.70	3V	3.42
						3.20	4.05	4L/A	
						2.90	3.68	3/8x5/16	
						2.95	4.00	1/2x5/16	
SB47-1	4.72	2 1/4	1 1/8	17/8	1/4x1/4	3.60	4.20	3V	3.63
						3.70	4.55	4L/A	
						3.40	4.20	3/8x5/16	
						3.50	4.50	1/2x5/16	
SB55-1	5.45	2 1/4	1 1/2	17/8	1/4x1/4	4.30	4.88	3V	5.40
						4.40	5.20	4L/A	
						4.60	5.16	5V/B	
						4.10	4.85	3/8x5/16	
						4.15	5.10	1/2x5/16	
						4.30	5.05	21/32x13/32	
SB63-1	6.30	3 1/8	2 1/16	2 1/16	5/16x5/16	4.70	5.30	3V	9.34
						4.80	5.60	4L/A	
						5.00	6.00	5V/B	
						4.50	5.25	3/8x5/16	
						4.55	5.75	1/2x5/16	
						4.70	5.90	21/32x13/32	
SB71-1	7.10	3 1/8	2 1/16	2 1/16	5/16x5/16	5.55	6.40	4L/A	11.20
						5.75	6.80	5V/B	
						5.30	6.35	1/2x5/16	
						5.50	6.70	21/32x13/32	

**A<sub>s</sub>** adjustable speed **V-pulleys**

**SB-2**  
NSPT Standard

**Cast Iron Sheaves**



**Single Groove Variable Pitch Sheaves for "3L", "4L", "5L", "A", "B", and "5V" Belts**

PART NO.	OD	D	Bore max	L	set screws	dr			wt Lbs
						min	max		
SB33-2	3.26	19/16	7/8	3"	1/4x1/4	2.48	3.11	3V	3.10
						2.25	3.00	3/8x5/16	
SB37-2	3.66	1 7/8	1	3"	1/4x1/4	2.65	3.50	3V	3.63
						2.60	3.45	4L/A	
						2.40	3.45	3/8x5/16	
						2.36	3.35	1/2x5/16	
SB42-2	4.25	1 15/16	1 1/8	3"	1/4x1/4	3.10	3.70	3V	4.46
						3.20	4.05	4L/A	
						2.90	3.68	3/8x5/16	
						2.95	4.00	1/2x5/16	
SB47-2	4.72	2 1/4	1 1/8	3"	1/4x1/4	3.60	4.20	3V	5.60
						3.70	4.55	4L/A	
						3.40	4.20	3/8x5/16	
						3.50	4.50	1/2x5/16	
SB55-2	5.45	2 1/4	1 1/2"	3"	1/4x1/4	4.30	4.88	3V	9.34
						4.40	5.20	4L/A	
						4.60	5.16	5V/B	
						4.10	4.85	3/8x5/16	
						4.15	5.10	1/2x5/16	
						4.30	5.05	21/32x13/32	
SB63-2	6.30	3 1/8	2 1/16	3 9/16	5/16x5/16	4.70	5.30	3V	15.60
						4.80	5.60	4L/A	
						5.00	6.00	5V/B	
						4.50	5.25	3/8x5/16	
						4.55	5.75	1/2x5/16	
						4.70	5.90	21/32x13/32	
SB71-2	7.10	3 1/8	2 1/16	3 9/16	5/16x5/16	5.55	6.40	4L/A	19.10
						5.75	6.80	5V/B	
						5.30	6.35	1/2x5/16	
						5.50	6.70	21/32x13/32	